

## Safety Instructions



0,1,2,3,4,6,7,11,12,13,  
15,18,22,25,26,27

Info Hotline 

**+49 (0) 5041 998 389**

Mon. - Do. 7<sup>00</sup> - 20<sup>00</sup>

Fr. 7<sup>00</sup> - 17<sup>00</sup>

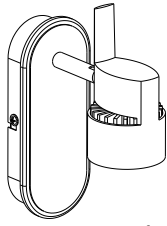


Paulmann Licht GmbH  
31832 Springe /Germany  
www.paulmann.com

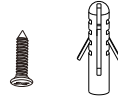
Art.-Nr.:  
**601.63**

(+MA 173)

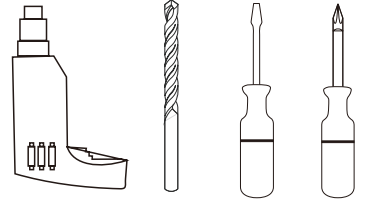
PSU 11/11



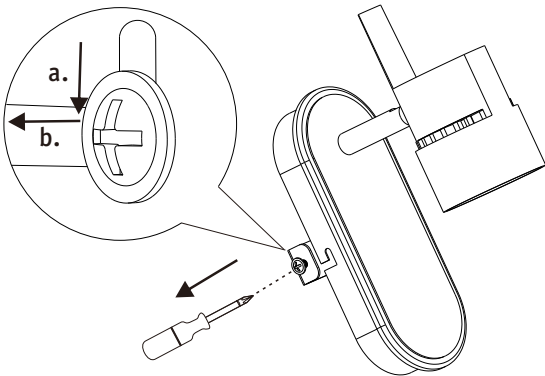
1x



incl.

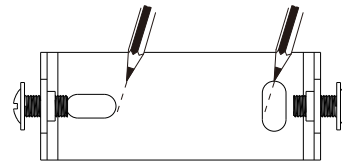


**A**

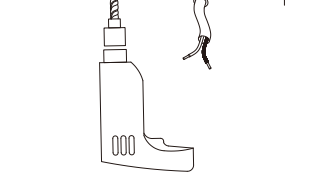


**B**

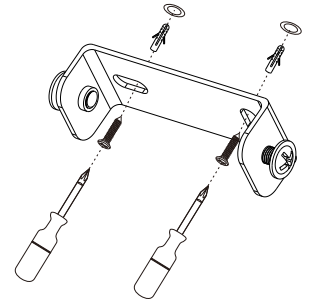
1.



2.



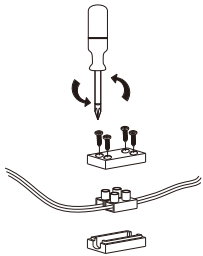
3.



**Safety Instructions**  
Nr. 0,1,2

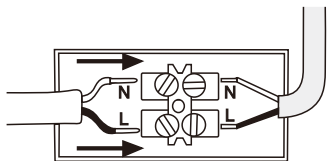
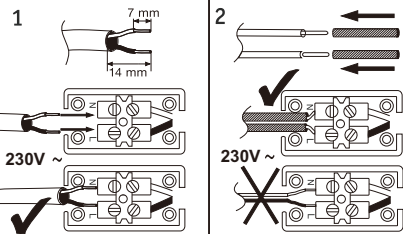
**C**

1.

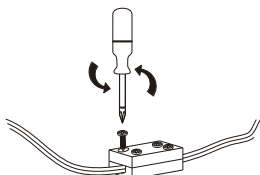


**Safety Instructions**  
Nr. 0,1,4

2.

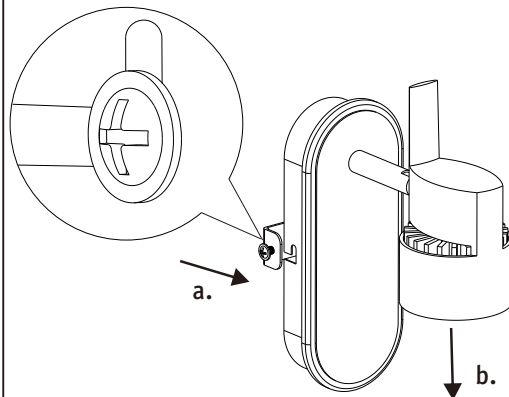


3.



**D**

1.



2.

